

STORZ FITTINGS

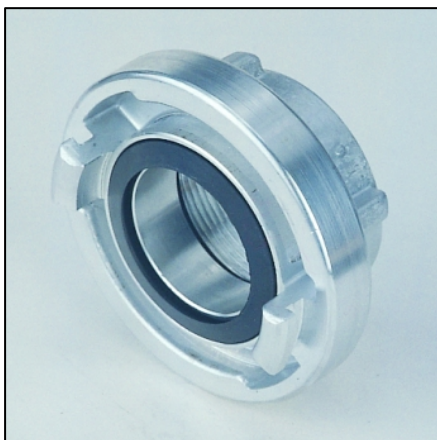
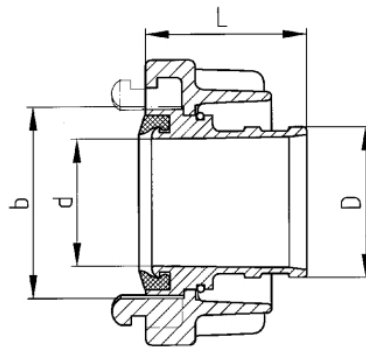
Symmetrical quick connect couplings suitable for delivery and suction operations. With no male and female parts, matching hose ends is easily achieved.

Available in light alloy or brass.

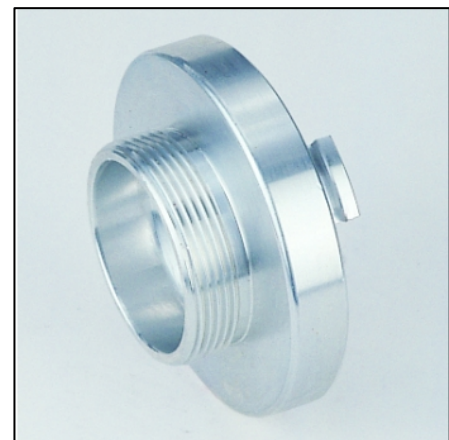


Storz Coupling

Nominal Size	Lug spacing b (mm)
25 (D)	31
38	51
45	59
52 (C)	66
65	81
75 (B)	89
100	115
110 (A)	133



Storz Adaptor with female thread



Storz Adaptor with male thread