

FB230 SEARCHLIGHT

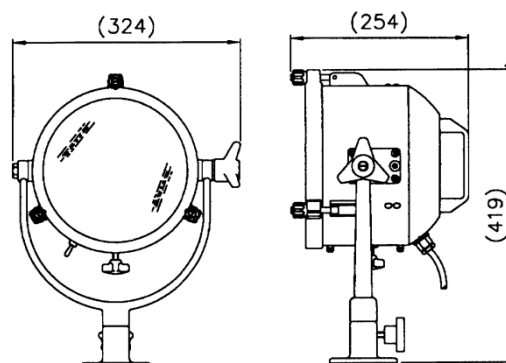
The **FB230** is vehicle mounted, but is fitted on a detachable base. When used in conjunction with the optional tripod and cable reel this allows the searchlight to be operated at up to 90 metres away from the vehicle.

Further options are “clip on” colour filters and a heavy duty flasher/interrupter unit, which, when operated allows the searchlight to be used as a long distance warning device.



SPECIFICATION EQUIPMENT

- Constructed from Marine grade materials and fixings
- Stove enamel paint or chrome finish
- Toughened front glass
- Parabolic, lead backed, glass reflector
- Tungsten Halogen light source 12/24v or 110/230v
- External lamp focus adjustment
- Integral on/off switch
- Captive bezel/glass
- Light shield to prevent unwanted glare and stray light
- Enclosure protection to IP 56
- Lamp focus is adjustable between 2° and 5° flood



Base fixing details

3 holes Ø 11.0 equi-spaced on a 82.0 P.C.D.

Weight – 6.2 kg

All dimensions in MM

ACCESSORIES

- Portable Tripod
- 30 metre Cable Reel LV
- 45 metre Cable Reel LV
- 90 metre Cable Reel LV
- Red Filter Assy.
- Amber Filter Assy.
- Blue Filter Assy.
- Green Filter Assy.
- Clear Filter Assy.
- 12v Interrupter Unit
- 24v Interrupter Unit
- 30 metre Cable Reel HV
- 40 metre Cable Reel HV
- 80 metre Cable Reel HV

Performance Data * Inclusive angle 80m cable reel HV

Volts	Watts	Range @ 1 Lux	P.B.C.P. x 1000	Div.*	Lamp Life	Lamp Cap
12v	100w	643 M	414	2.0°	2000 hrs	GX6.35
24v	150w	784 M	614	2.0°	300 hrs	GX6.35
24v	250w	910 M	828	3.0°	2000 hrs	GX6.35
24v	250w	1095 M	1200	3.0°	300 hrs	GX6.35
120v	300w	912 M	832	4.9	150 hrs	GX6.35
230v	300w	888 M	790	4.9	75 hrs	GX6.35