

RECESSED VERTICAL & HORIZONTAL INLET CABINETS

RECESSED VERTICAL INLET CABINET

Cabinet & Door: 16swg Zintec Steel.
Colour: As Standard Red Ral 3002.
Architrave: 38mm wide all round.
Glass: 6mm Georgian Wired. PRV Lettering.
Lock: Yale Slam Lock Keyed Alike.
Hinge: Stainless Steel Piano Hinge.
Conforms: to BS 5051 Part 5.



Elite 1802

OPTIONS

1. Full cabinet polyester powder coated to your colour specifications, all we need is a Ral or BS number.
2. Cabinets can be manufactured to your individual specifications and dimensions.
3. Cabinets can be manufactured with special doors to take marble, stone etc.
4. Cabinets can be manufactured to take Fire Brigade budget locks recommended on solid door version.

SPECIFICATIONS:

Dimensions: 595 high x 395 wide x 295mm (Minimum aperture 405mm wide 605mm high).

RECESSED HORIZONTAL INLET CABINET

Cabinet & Door: 16swg Zintec Steel.
Colour: As Standard Red Ral 3002.
Architrave: 38mm wide all round.
Glass: 6mm Georgian Wired. PRV Lettering.
Lock: Yale Slam Lock Keyed Alike.
Hinge: Stainless Steel Piano Hinge.
Conforms: to BS 5051 Part 5.



Elite 1799

OPTIONS

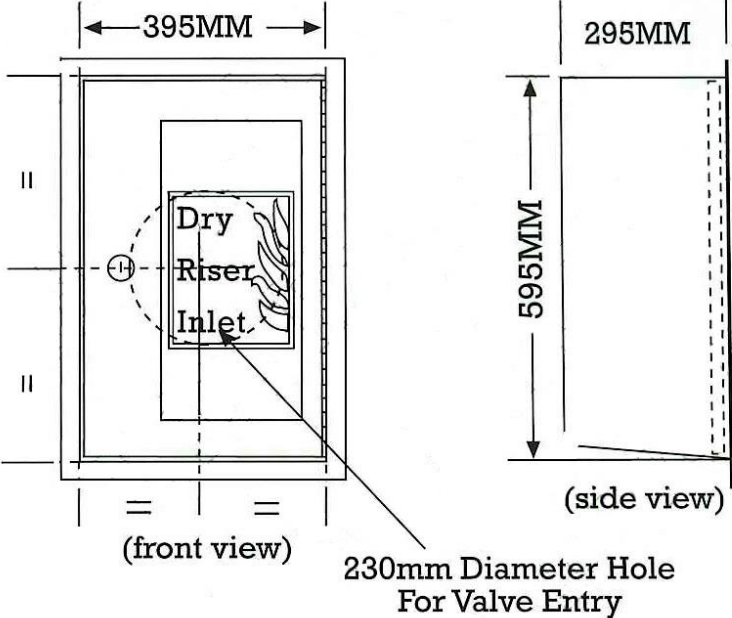
1. Full cabinet polyester powder coated to your colour specifications, all we need is a Ral or BS number.
2. Cabinets can be manufactured to your individual specifications and dimensions.
3. Cabinets can be manufactured with special doors to take marble, stone etc.
4. Cabinets can be manufactured to take Fire Brigade budget locks recommended on solid door version.

SPECIFICATIONS:

Dimensions: 395 high x 595 wide x 295mm (Minimum aperture 605mm wide 405mm high).

CABINET DRAWINGS

RECESSED VERTICAL INLET CABINET



RECESSED HORIZONTAL INLET CABINET

